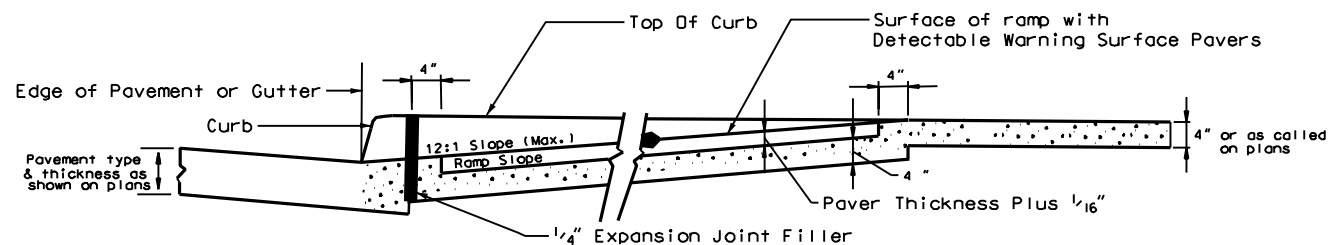
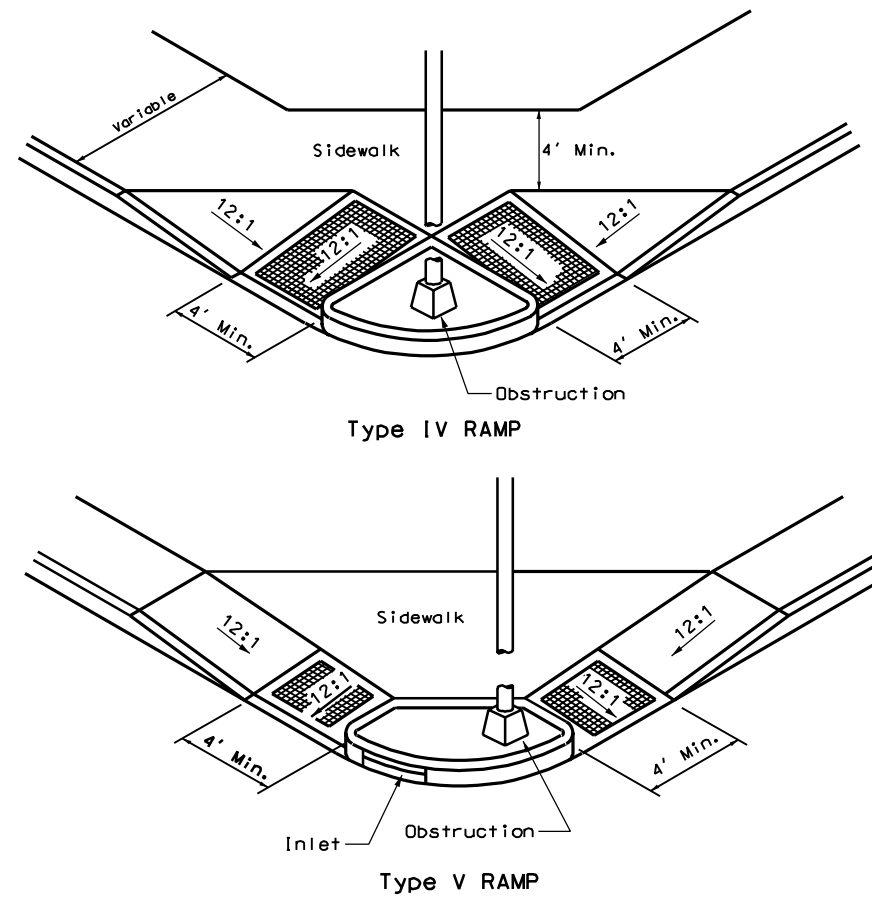
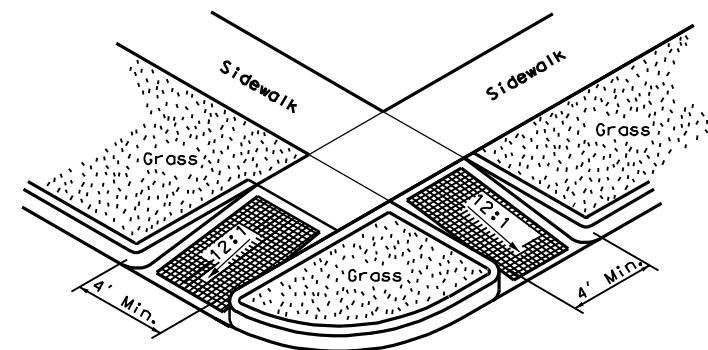


TYPICAL RAMPS LAYOUT AT INTERSECTIONS



Typical Ramp Section
(TYPE VI Ramp Only)



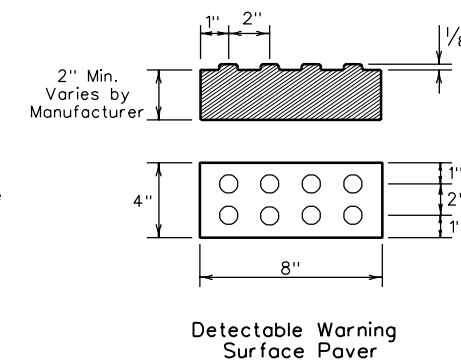
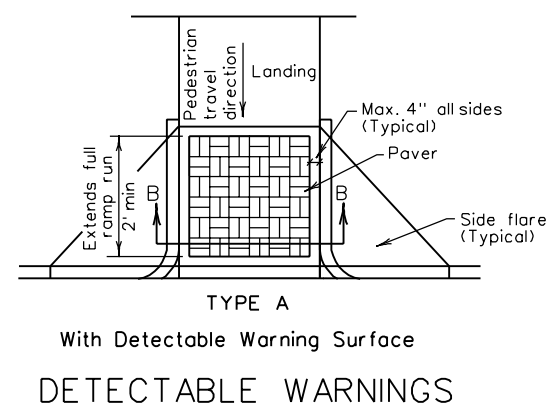
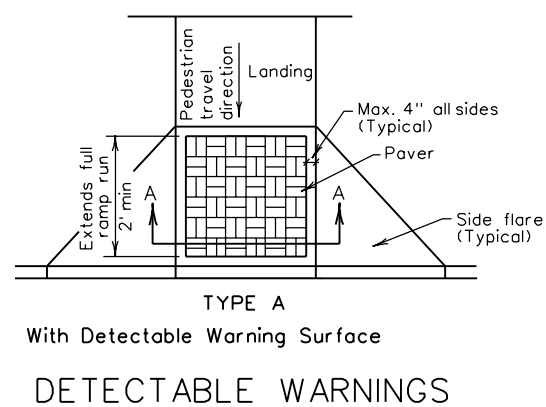
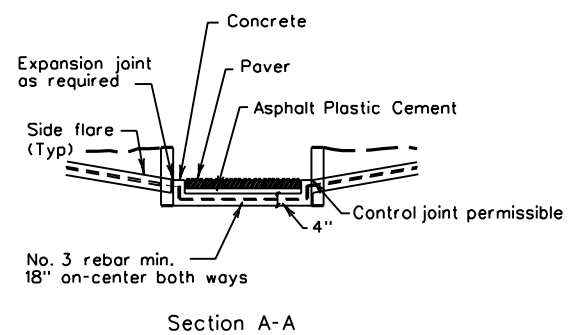
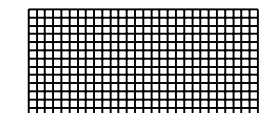
NOTES

The appropriate details and notes of Standard Sheet PVT7, sheet 1 of 2, shall apply to this Standard Sheet.

Detectable Warning Surface Pavers shall have a truncated dome top surface for detectable warning to pedestrians and comply with section 609 of the Specifications.

Concrete paver units shall be saw cut only and any cut unit shall not be less than 25 percent of a full unit.

LEGEND: DETECTABLE WARNING SURFACE



WEST VIRGINIA DEPARTMENT OF TRANSPORTATION
DIVISION OF HIGHWAYS
SPECIAL DETAIL

PREPARED 7-1-99
REVISION DATE

SIDEWALK RAMPS

(SHEET 2 OF 2)

SPECIAL DETAIL SHEET PVT7